



SmokeCloak *EASY* 2200

INSTALLATION AND OPERATING INSTRUCTION



Every effort has been made to ensure that the contents of this manual are correct. MSS Professional A/S does not accept any liability for loss or damage caused or alleged to be caused directly or indirectly by this manual. The contents of the manual may be subject to change without notice. MSS Professional A/S makes no warranty of any kind with regards to this material.

© 2012 MSS Professional

Reproduction in any matter whatsoever without the written permission of MSS Professional A/S is strictly forbidden.

READ AND SAVE THESE INSTRUCTIONS

MSS Professional A/S

Agerhatten 25

DK - 5220 Odense SØ

Danmark

Telefon: +45 6473 1407

smokecloak@mssprofessional.com

www.smokecloak.com

Manual

EASY 2200



Please read this manual carefully before attempting to install an EASY 2200.

Conventions

The following symbols are used in this manual to help you install the SmokeCloak system correctly and safely.



Note

Gives useful advice or suggestions to enhance the performance of the SmokeCloak system.



Important

Indicates important information that is critical for the correct use of your products and must always be read carefully.



It is essential that only genuine SmokeCloak fluid is used. Damage to the equipment and possible health hazard is likely if incorrect fluid is used. The warranty on all of the equipment will also be void.

Under no circumstances should the on board power supplies of the SmokeCloak "12v output" be linked to any other 3rd party equipment e.g. alarm panels, additional power supplies, etc. as this could cause unexpected faults within the machines.

In areas fitted with equipment generating high levels of electrical interference, screened alarm cable may be required to ensure correct operation of the EASY unit.

Contents

1. IN THE BOX.....	6
2. QUICK START GUIDE	6
3. SPECIFICATIONS.....	8
4. MACHINE LAYOUT	10
5. INSTALLATION.....	12
6. DIRECTING THE NOZZLE.....	13
7. FLUID.....	15
8. PRIMING THE MACHINE	17
9. BATTERIES	18
10. WIRING UP THE MACHINE	21
11. INTERFACE BOARD.....	22
12. CONNECTION DETAILS.....	23
13. CLOAK SENSOR.....	40
14. SETTING THE ACTIVATIONS TIME	42
15. PREPARATION FOR FINAL TEST	44
16. MAINTENANCE.....	45
17. PC-TOOL	46
18. USING THE SOFTWARE.....	49
19. TIMERS.....	50
20. ACCESSORIES	56
Fluid FL600	56
Cloaksensor CS07A.....	57
LED Strobe.....	58
Sounder IPA 117	59
Voice Module.....	60
Batteries	61

1. In The Box

Before attempting to install the machine it is advisable to ensure that you have all the required components. Upon opening your SmokeCloak EASY box you should find:

x1 off EASY 2200 unit

Check serial labels to ensure the correct voltage

x1 off Manual pack

Warning stickers

Mounting template

Quick start guide

CD Rom containing manual

x1 off Accessory Pack

Straight nozzle insert

30 degree nozzle insert

Circlip (x2 off)

Suppressors

x1 off Cloaksensor (CS07A)

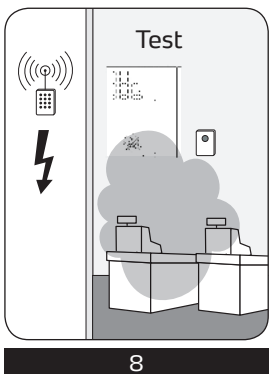
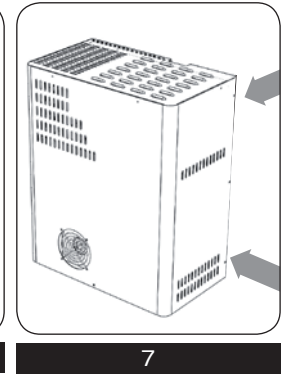
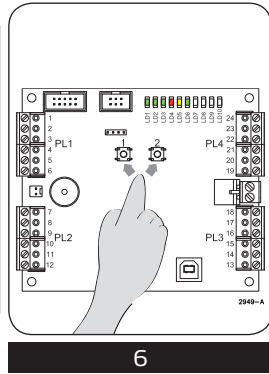
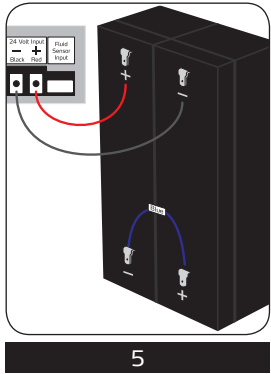
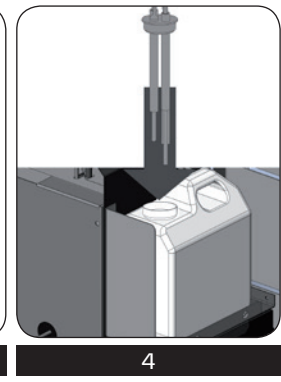
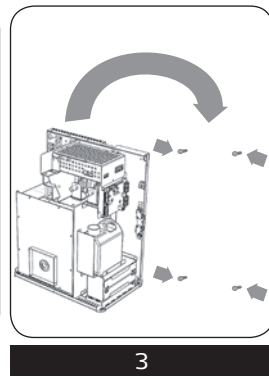
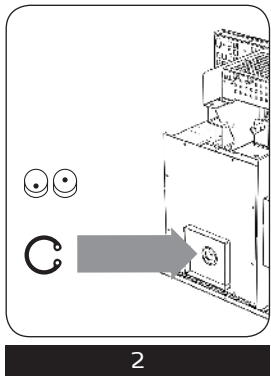
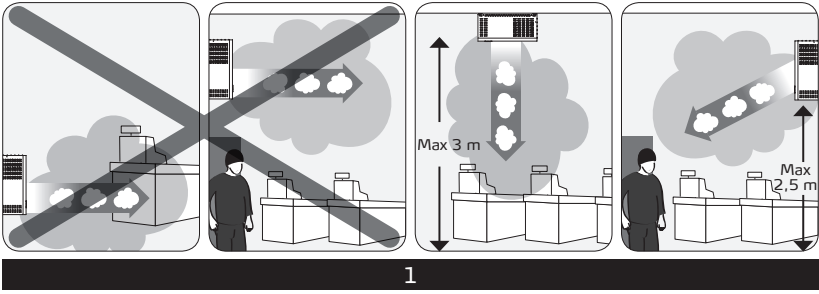
In addition to the above items you will also need **2x 1.2 Ah 12 V batteries**. MSS Professional A/S recommends FIAMM or similar quality.

In addition, the following specialist tools will also be required:

Internal Circlip Pliers (20 mm)

2. Quick Start Guide

To quickly prepare and fire your unit, the following steps should be taken. For more detail on anything below, see the full guide provided.



3. Specifications

EASY 2200	
Dimensions	468 x 382 x 223 mm
Weight (install)	19.15 kg
Weight (shipped)	23 kg
Weight (hanging)	21.15 kg
Performance	764m ³ in 30 s*
Reaction time	0.2 s
Fluid consumption	260 ml in 30 s
Standard colour	White
Mounting	Vertical or Horizontal
Fluid Reservoir	1,0 L
Heat up time (Rdy)	9 minutes (230 V)
Heat up time (Full)	15 minutes 45 s (208V) 13 minutes (230V)
Timer	Adjustable
Voltage	230V, 208V
Heat Power 208/230V	2 x 950 W
Power consumption at 230V (max)	2.0 KW
Power consumption at 208V (max)	1.65 KW
Standby Power consumption @ full temperature	105 W
Standby Power consumption during power save mode	72 W
Current Draw at 230 V (max)	8.85 A
Current Draw at 208 V (max)	7.8 A
Pumps	x2 24 V solidstate, variable output

Weight (Install)

Represents the weight of the machine, without the covers on, and without the batteries or any fluid installed.

Weight (Shipped)

Represents the weight of the machine packed within its box

Weight (Hanging)

Represents the weight of the machine, in its armed state hanging on a wall. That includes covers, Batteries and a full container of fluid.

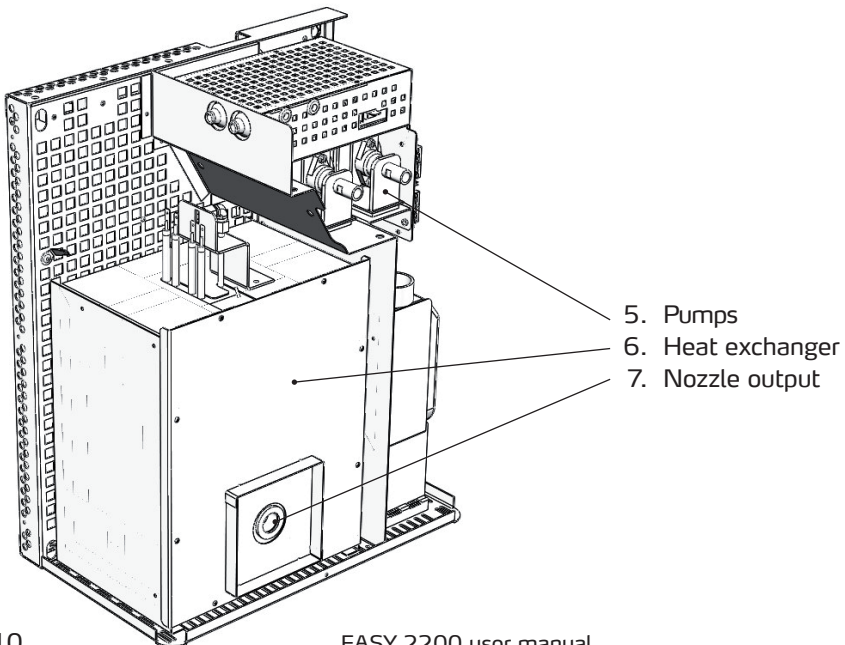
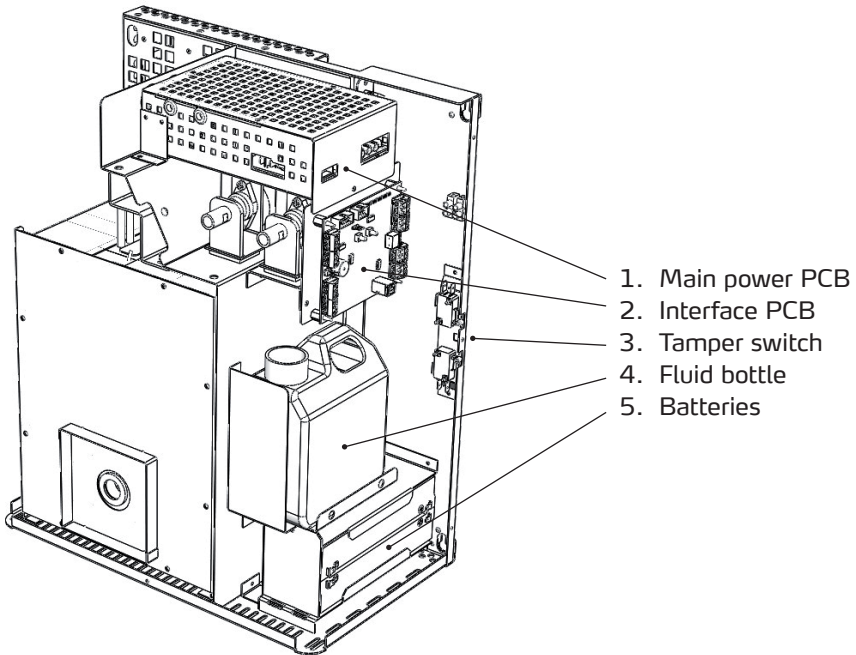
Heat-up time (rdy)

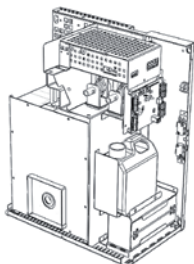
The figure given is a time to 'ready' state at an ambient temperature of 20°C

Heat-up time (full)

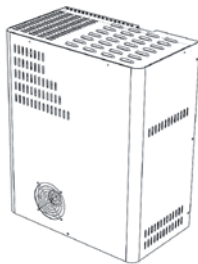
The figure given is a time to full temperature at an ambient temperature of 20°C

4. Machine Layout

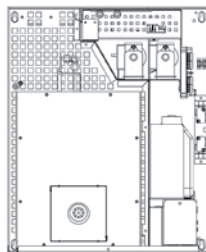




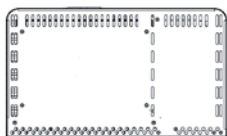
Internal isometric



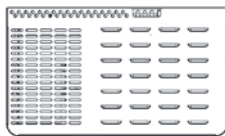
External front



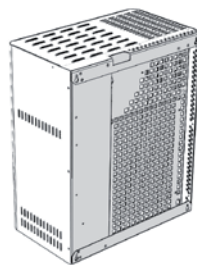
Internal



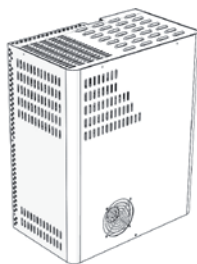
Bottom



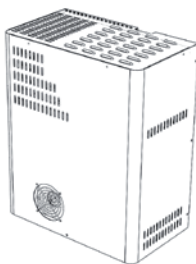
Top



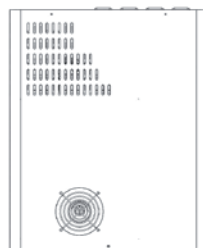
Rear



L/H side



R/H side



Front

5. Installation

5.1 Position

The SmokeCloak EASY can be installed vertically for wall mounting, or alternatively mounted horizontally for ceiling installations.



This equipment should only be installed and connected to the supply by a suitably skilled and competent person.

This apparatus must be earthed. Connections are made to a plug-in terminal block. The SmokeCloak should be connected to a standard 13 amp fused spur.

Flexible mains cables must have a minimum cross-section area of 1.25 mm² (and must be BASEC approved in the UK). Ensure that the protective earth conductor is made longer than the live and neutral conductors, and that the cable clamp grips both the sheath and insulation.



Wall mounting: It is not recommended to install the machine in excess of 2.5 m high, otherwise the smoke coverage near the floor may be compromised.

Horizontal mounting: Ensure the machine is no more than 3 m above the floor, otherwise smoke dispersal may be compromised.



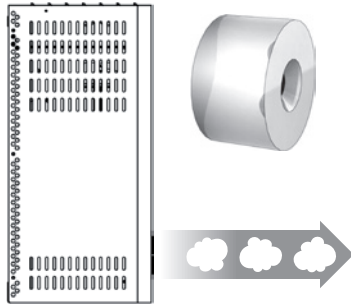
In areas fitted with equipment generating high levels of electrical interference, screened alarm cable may be required to ensure correct operation of the EASY unit.

6. Directing the nozzle



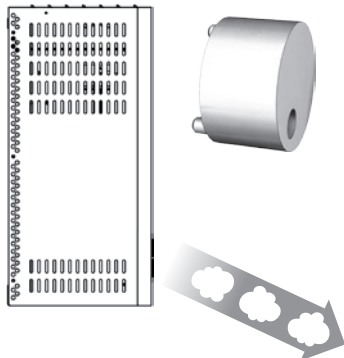
EASY 2200 will come as standard with no nozzle installed. It is the job of the installer to assess, install and test which of the nozzles supplied should be used in order to ensure that the machine is best suited to the particular installation.

Straight Nozzle



Provides a single powerful burst directed perpendicular to the front of the machine.

30-Degree Nozzle



Provides a single powerful burst directed at 30° to the front plane of the machine.

Note: by changing the orientation of the nozzle the effect can be projected in varying directions.

Installing the correct nozzle for the first time:

1. By making a quick assessment of the area to be protected by the SmokeCloak, decide which of the two available standard nozzles should be used. You can see examples on the previous page.
2. Take the required nozzle and install it within the nozzle body.
3. Take the circlip provided and using a pair of internal circlip pliers, engage the circlip into the ridge running around the inside of the nozzle body. It is crucial this is installed correctly in order to retain the nozzle safely.
4. Follow the test procedure.



Take great caution when changing the nozzle, it becomes extremely hot as the machine heats up. Do not attempt to handle the nozzle once the machine has heated up to temperature.



Following any installation or changing of the nozzle – Ensure that a test firing is carried out to ensure that the new nozzle has been correctly and safely installed. When performing this first test firing insure that the grille plate is installed correctly and everybody is standing back from the front of the machine.

7. Fluid

FL600 fluid is used to generate the vapour cloud. This glycol based fluid is made to a special formula, which is designed to produce 40% obscuration of light at 40 cm with minimum condensation.

The fluid should be changed annually and the machine test fired after the fluid has been replaced to flush the old fluid out of the internal fluid lines in the machine.

Whilst unopened the fluid has a 5 year shelf life when stored correctly.

7.1 Installing the Fluid Bottle

Your EASY 2200 product will be supplied with a full fluid container installed. It will arrive with a sealed travel cap installed. The following steps should be taken in order to correctly install the fluid bottle and the fluid sensing unit.

1. Remove the fluid bottle from the machine,
2. Slide the fluid sensor assembly inside the bottle – screw down the cap tightly to create a seal.
3. The bottle can then be slid back into position within the machine.
4. It is recommended that following any installation of the bottle a short test fire is carried out to ensure the fluid line has been correctly re-installed and to re-prime the fluid feed lines.

It is essential that only genuine SmokeCloak fluid is used. Damage to the equipment and a possible health hazard is likely if incorrect fluid is used. The warranty on all of the equipment will also be void



7.2 Changing the Fluid

As part of the maintenance of the SmokeCloak EASY it is essential that the fluid is replaced annually to ensure that the quality of the effect produced is maintained at the desired level.

In order to change the fluid follow the same instructions in the previous section for installing the fluid bottle, once removed.

Discard the empty fluid container and replace with a new full bottle of fluid.

The fluid should be changed (not topped up) at least once a year. Do not mix batches of fluid. (Batch number is printed on the front of the bottle).



Take care not to overfill the bottle
– it could potentially lead to electric shock.

8. Priming the machine

Following either the initial installation of the fluid bottle or following changing of the bottle it is essential that a short test firing is carried out to ensure that the fluid feed pipes are correctly primed. Failure to follow this procedure will lead to delayed response time the first time the machine is fired following the service or, more significantly, a failure to observe a connection fault incurred during the installation or re-installation of the fluid bottle.

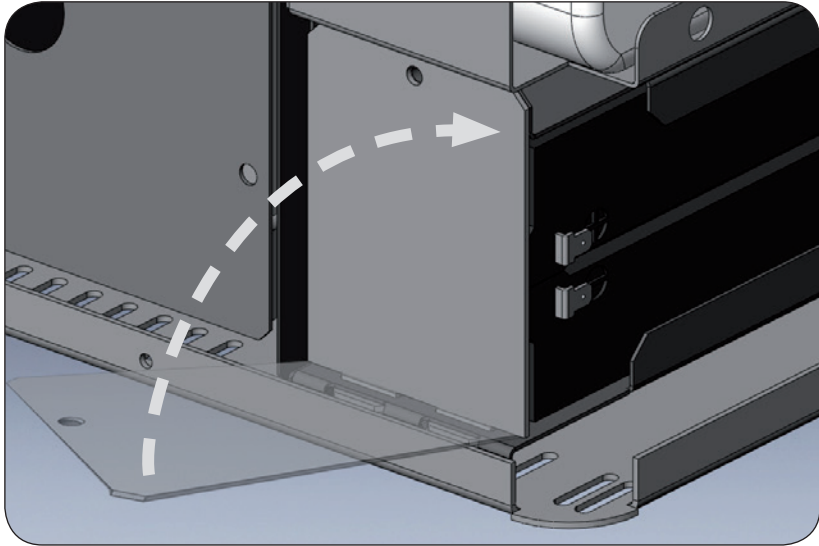
During the test firing, observe the output to ensure the level is satisfactory before leaving the machine.

If the level appears to be below what would normally be expected of the machine, repeat the test process. If after 3 test cycles the output still appears to be below the 'regular' level of effect check the following:

1. The fluid cap was correctly re-engaged into the bottle, that the fluid feed pipe wasn't trapped in any way, and that the cap was firmly screwed back into position.
2. If there still appears to be a problem contact your supplier.

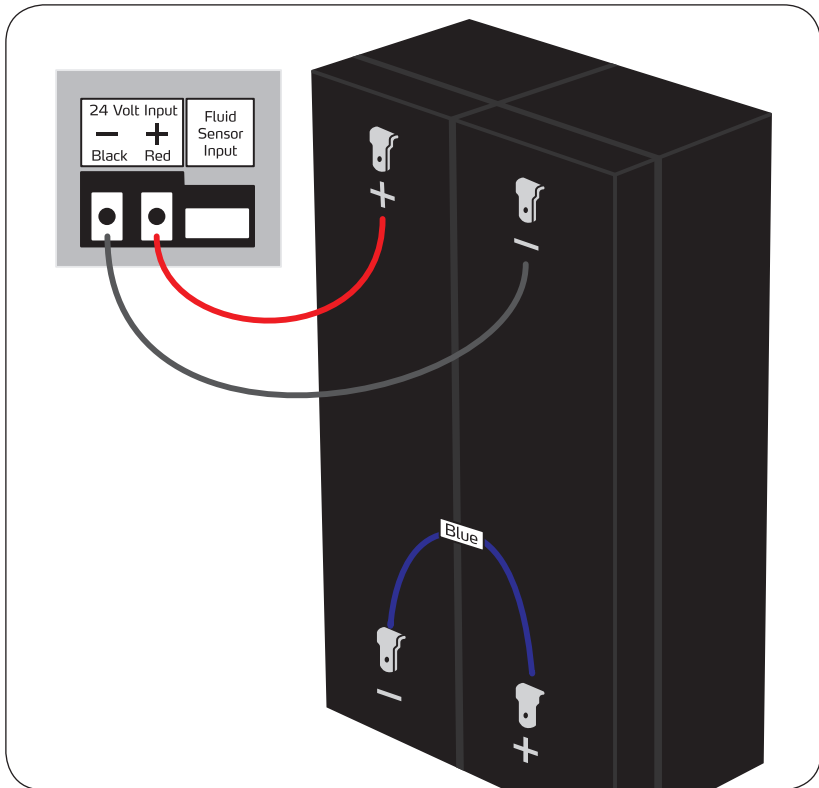
9. Batteries

9.1 To install the batteries:



Once the batteries are installed within the bracket provided they must then be wired together in series and connected to the power board.

Follow the instructions below – The battery loom provided should be used. It will contain a single blue wire used for linking the batteries in series and in addition a red and a black wire for connecting the wires back to the power board.



The red wire should be terminated at PL22 on the power board and the black wire at PL21. The terminals labeled + with the red wire, and - with the black wire.

The battery backup system provides power for the control electronics and pumps when mains electricity is removed.

The standard backup system does not provide power for the heater. The insulation is designed to retain sufficient heat in the aluminium heat exchanger assembly.



The SmokeCloak must have the batteries installed, even when operating from the mains,

The battery backup system requires 24 V d.c. - it is necessary to fit two 12 V 2.1 Ah batteries in series in the SmokeCloak. Do not use larger than 2.1 Ah capacity batteries to prevent fuse failure due to excessive charging current.

Please note that the temperature inside the SmokeCloak can exceed 40 degrees depending on the ambient temperature - the batteries must be able to withstand this temperature under charging.

Take care with polarity. The SmokeCloak is protected with an auto-reset fuse to safeguard against reverse polarity connection of the batteries. The LEDs on the interface board will give indication of correctly installed fluid and batteries.



PCB damage due to incorrectly fitted/sized batteries is not covered under warranty.

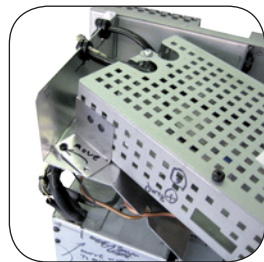
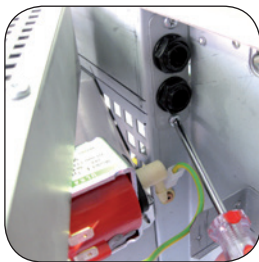
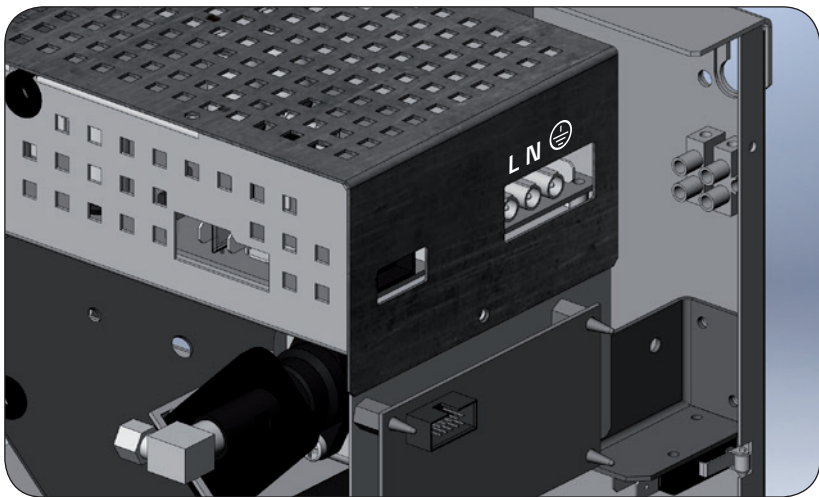
MSS Professional strongly recommends that Fiamm 2.1 Ah batteries or similar quality are fitted. These can be purchased from MSS through your distributor.

10. Wiring up the Machine

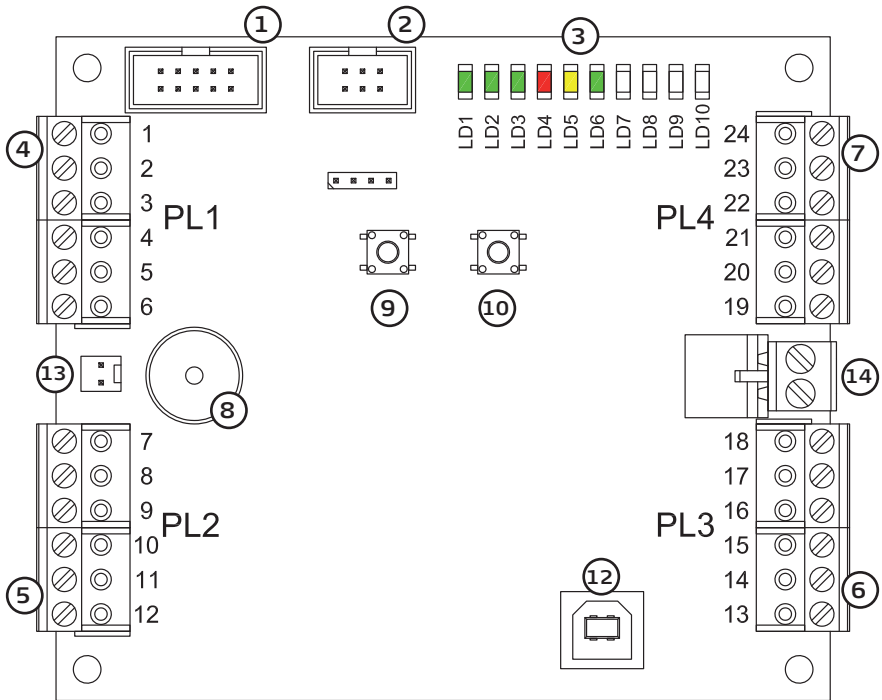
The mains power and low voltage control signals are clamped to the installation bracket using the cable clamps provided. The cables should be routed through the cable guide provided on the back face of the bracket, then fed through the cable clamps and terminated with the supplied plugs. Lead lengths between the clamps and plugs should be a maximum of 30 cm.

10.1 Wiring the mains feed

Remove the 3 pole plug from the electronics module and fit to the flexible supply cable (1.25mm²) that has been fed through the cable grommets. Observe polarity marked on the electronics module and on the diagram below. **Reverse polarity will damage the unit.**



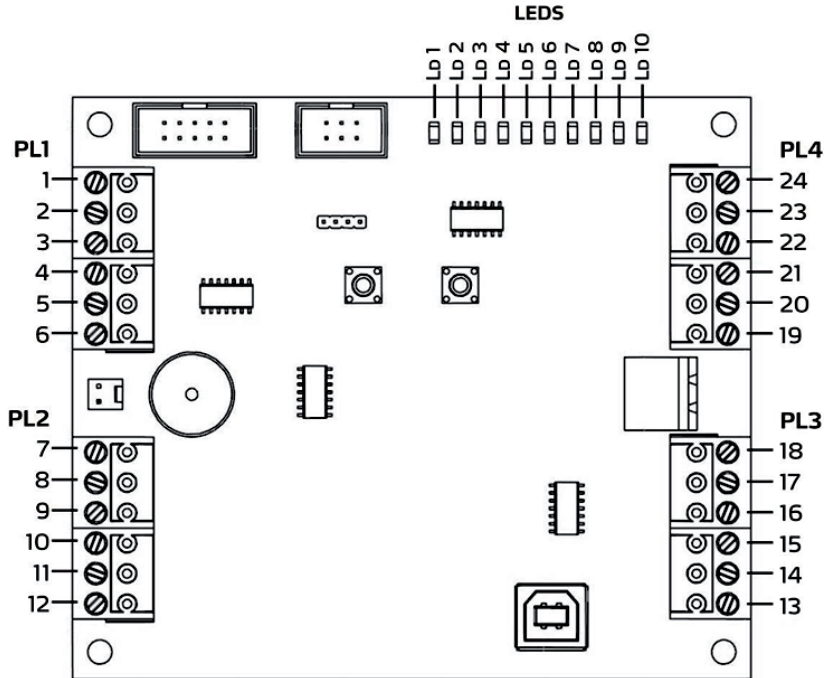
11. Interface board



2949-A

1. SPI connection
2. Programming socket
3. LED output
4. PL1
5. PL2
6. PL3
7. PL4
8. Sounder
9. Switch 1
10. Switch 2
12. USB Interface
13. Test jumper. Allows a test activation of up to 10 seconds when S/C.
14. No function: Do not use future expansion port option

12. Connection Details



12.1 Status LEDs

LEDS	LD 1	Battery (on - ok)
	LD 2	Mains (on - ok)
	LD 3	System ready (on - ready)
	LD 4	Heater (on - heating)
	LD 5	Temperature fault (on - fault)
	LD 6	Low fluid (on ok, off fault)
	LD 7	No fluid (on ok, off fault)
	LD 8	System
	LD 9	System active (on - active)
	LD 10	Backstop active (on - active)

12.2 Interface Board Connections

PL 1	Terminal 1 Terminal 2 Terminal 3 Terminal 4 Terminal 5 Terminal 6	12 Volts PIR Cloaksensor Case open, Log signal Signal 0 Volts 0 Volts
PL 2	Terminal 7 } Terminal 8 } Terminal 9 } Terminal 10 } Terminal 11 } Terminal 12 }	Fire inhibit + Fire inhibit - Set + Set - Trigger + Trigger -
PL 3	Terminal 13 } Terminal 14 } Terminal 15 } Terminal 16 } Terminal 17 } Terminal 18 }	Normally closed (open when system active) System active (default) / Backstop Timer Normally closed (open in fault condition) Non critical fault Normally closed (open in fault condition) System fault
PL 4	Terminal 19 Terminal 20 Terminal 21 } Terminal 22 } Terminal 23 } Terminal 24 }	12 V out + (1 A Max) 12 V out - (1 A Max) Panic/Service mode + Panic/Service mode - (service mode default) Normally closed AUX OUT Mains failure (default) / Backstop timer



Under no circumstances should the on board power supplies of the SmokeCloak (terminals 1, 6, 19, and 20) be linked to any other 3rd party equipment e.g. alarm panels, additional power supplies, etc. as this could cause unexpected faults within the machines. This supply may drop to 0 V while the machine is still operational. Do not use this output for any purpose which may be affected by this power loss.

12.3 Typical Cables required:

Connections between the SmokeCloak and the alarm panel are made to the interface board via four 6-way plug-in connectors. 10 LEDs also found on the interface board indicate information concerning the status of the SmokeCloak.

1 cable with up to 16-cores

- 1 pair for critical fault
- 1 pair for tamper
- 1 pair for non critical fault
- 1 pair for set
- 1 pair for trigger
- 1 pair for mains failure

Optional:

- 1 pair for fire alarm inhibit
- 1 pair for SmokeCloak active
- 1 pair for Panic
- 1 pair for backstop timer/mains fault

12.4 Power

12.4.1 12 V powersupply, Terminal 1 & 6

This powersupply is made to power external equipment such as, Cloak sensor, PIR sensor, or other verification sensor.

Maximum current draw from this powersupply is 250 mA.

12.4.2 12 V powersupply, Terminal 19 & 20

This powersupply is made to power external equipment

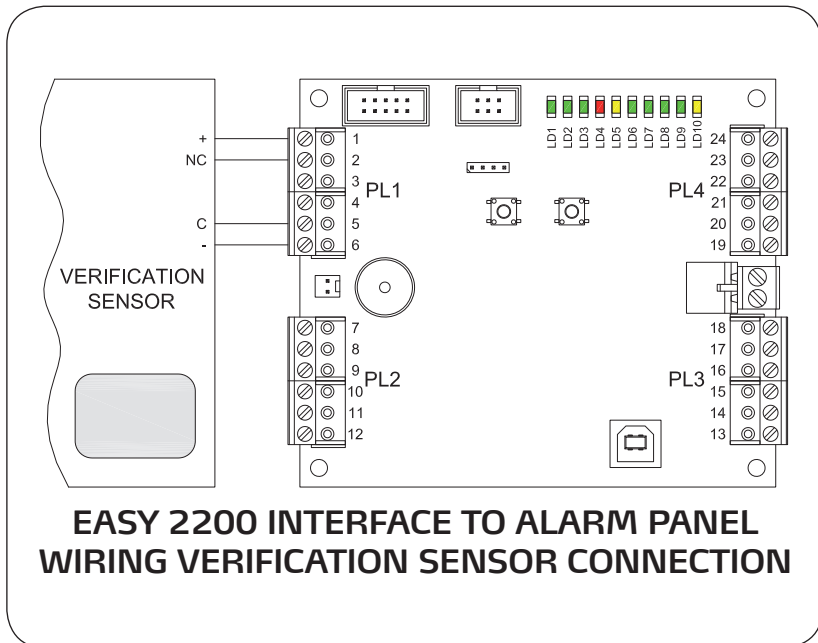
Maximum current draw from this powersupply is 1 A.

It is this power supply that is recommended to loopback to the inputs if needed.

12.5 Digital Inputs

12.5.1 Verification sensor, terminal 2 & 5

A normally closed loop provided by door contacts, PIRs or similar can be connected to terminals 2 and 5. The power for active devices (250 mA max) is taken from terminal 1 (+12 V) and terminal 6 (0 V).



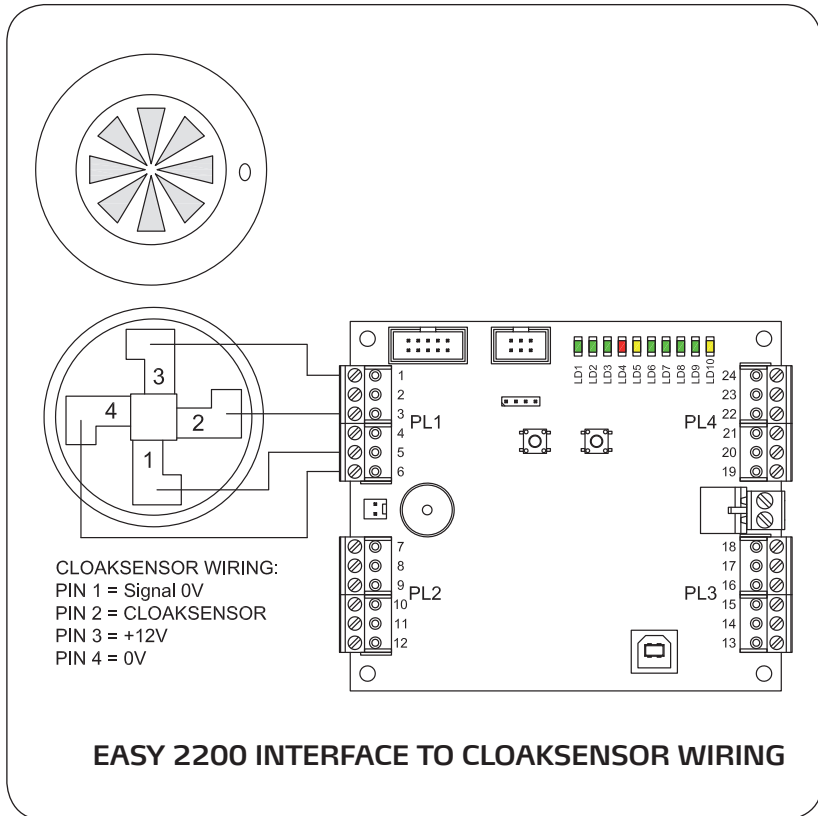
This input does not trigger the SmokeCloak, but holds off its activation despite an alarm trigger until the verification loop detects an intruder. The backstop timer is also inhibited until smoke is produced.



12.5.2 Cloak sensor, terminal 3 & 5

A 6-core lead is taken to the Cloaksensor for smoke density control from terminals 3, 5. The power for the Cloak sensor is taken from terminal 1 (+12 V) and terminal 6 (0 V).

It is recommended that an extra pair is used as a tamper loop and simply returned in the Cloaksensor.



12.5.3 Case open, terminal 4 & 5

- The case open switch on the chassis is connected to these terminals.
- The input is used to log the case information to the internal logs
- When the cover is removed the switch opens the signal between pins 4 & 5
- When the cover is fitted correctly the switch closes the signal between pins 4 & 5
- The second microswitch allows the same tamper fault to be monitored by the alarm panel via the "connector" on the chassis.

12.6 12 V Inputs

The inputs to the SmokeCloak are optoisolated and can be directly connected to transistorised outputs from alarm panels (2mA draw), the connections are polarity conscious and care should be taken.

The inputs require between 5 V – 12 V applied to operate correctly (normal power supply tolerances apply).

12.6.1 Fire inhibit, terminal 7 & 8

Description:

This function is made to ensure that a fire alarm can disable the EASY 2200 when the fire alarm has detected a fire. This will ensure the EASY 2200 will not activate if firemen entering a building on fire trigger the intruder alarm.

Activation:

This function is activated by applying 12 V across terminal 7 and 8

12.6.2 Set, terminal 9 & 10

Description:

Set signal should come from the alarm panel when the user sets the alarm – e.g when leaving the premises after work.

Unset is the opposite of the set, and therefore the alarm panel should remove the set signal when the alarm is turned off.

It is only possible to trigger the EASY 2200 once after the alarm is set, which means that if the unit is required to trigger more than once (from the Alarm Panel) it will require an unset signal before it will trigger again.

Unset signal is also used to release latched relays.

Activation:

This function is activated by applying 12 V (default) across terminal 9 and 10. It is also possible, using the PC tool, to configure this input to operate upon removal of 12V.

12.6.3 Trigger, terminal 11 & 12

Description:

Trigger signal should come from the alarm panel when the alarm is triggered.

Due to that the EASY 2200 will fire if:

- There is a "SET" signal present.
- It has not been triggered before with the current "SET" signal.
- The verification sensor is "activated" or NO verification sensor connected.

The trigger signal must be set continuously from the initial alarm, until the backstop timer is timed out.
(This is different from the previous models.)

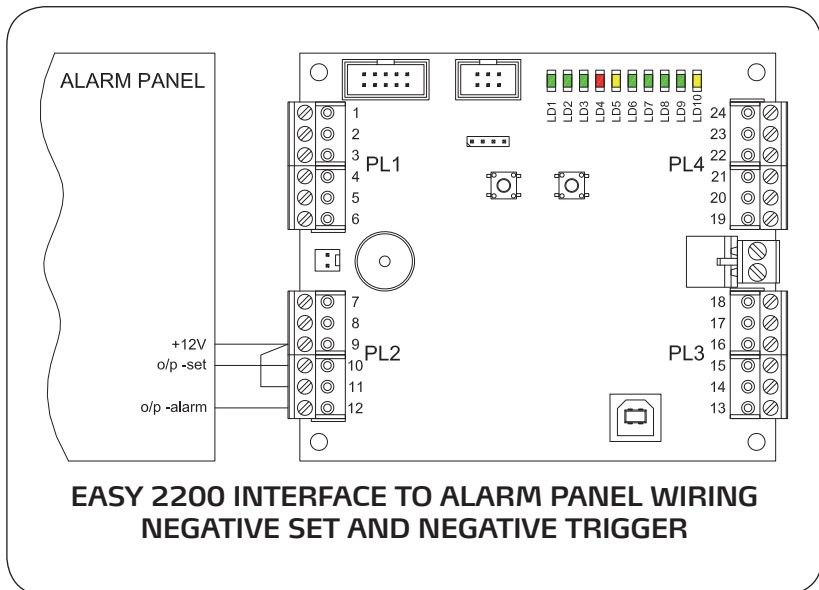
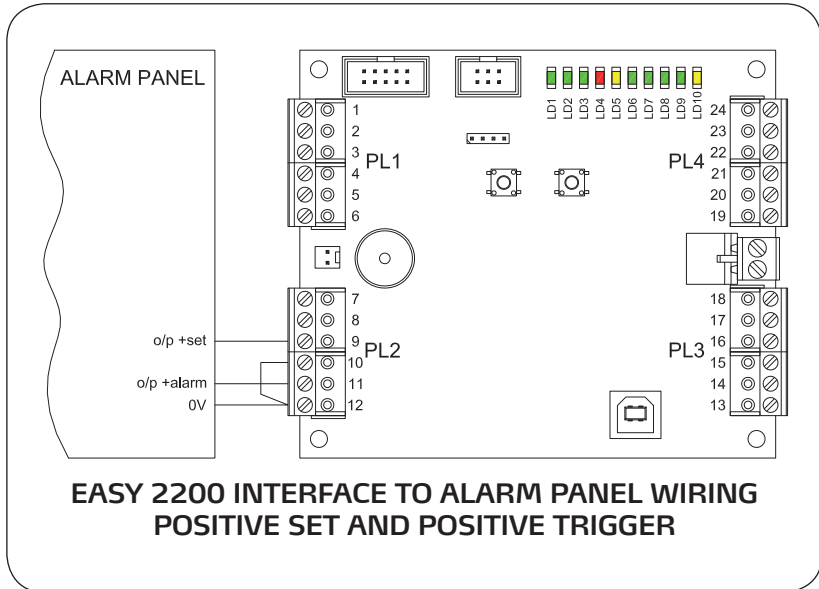


Activation:

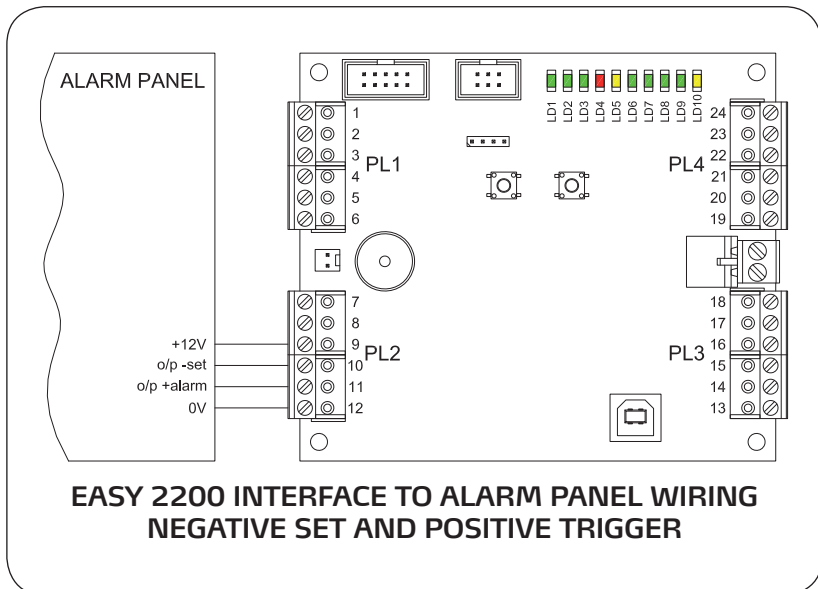
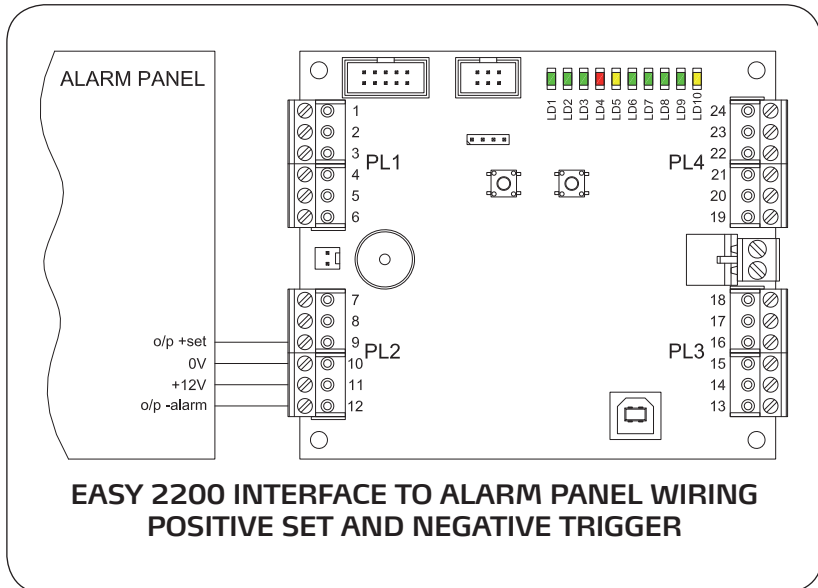
This function is activated by applying 12 V (default) across terminal 11 and 12.

It is also possible, using the PC tool, to configure this input to operate upon removal of 12V.

Examples of connections of the set and trigger signal to the alarm panel. Use the appropriate diagram below to interface the SmokeCloak to your alarm panel:



DISCLAIMER: Actual alarm panels may vary from those illustrated and MSS PROFESSIONAL cannot be held responsible for faults due to incorrect installations.



12.6.4 Aux In (terminals 21 and 22)

It is via the PC-TOOL possible to select between: see 18.

12.6.4.1 Panic

Description:

When panic is activated the machine will fire.

It will fire with the same runtime as a normal activation, but it will fire independently of the set/triggers inputs.

If the panic is deactivated during the runtime it will stop firing.



The panic input feature will not function if the unit is in a power save mode. In all other instances the panic input feature will override all other inhibit functions

12.6.4.2 Service mode (default).

In service mode the EASY 2200 has the following properties

- It will prevent it from firing if “set” and “trigger” is active.
- It will beep continuously if there is a failure on the product.

Activation:

The input is activated by applying 12 V across terminal 21 and 22

12.7 Outputs

The fault outputs are “clean” 150 mA, 60 V DC solid state relay contacts PL3 and PL4 (terminals 13-18, 23-24).

During the day when the alarm panel is de-activated, it is important that SmokeCloak cannot produce smoke, so the pump(s) are only connected to the control electronics when the panel is set or armed.



It is essential that these fault circuits should only be connected to either a logged local warning circuit (i.e. technical or plant monitor) or via the communicator to the central station, so that, in the event of a fault, a full alarm condition will not occur! If the machine enters a low power mode (when the mains are removed for a long period) the fault relays will become open circuit. Always ensure that this will not cause a problem within the installation.

It is not desirable to have a full alarm condition and then a SmokeCloak activation just because of a fault condition.

If the alarm panel is not capable of supporting local alarm only, for monitoring these circuits, then consider using a spare communicator line to central station. As a last resort a buzzer or LED can be used as a warning device. If in doubt please contact your supplier for advice



It is important that in the event of a fault being displayed you contact your installation engineer. Failure to do so could lead to risk of fire or electric shock.

12.7.1 Activation Relay (terminals 13 and 14)

Terminals 13 and 14 are normally closed (default).

The normally open/normally closed can be configured using the PC-tool.

See 18

It is possible to latch this relay. See 19.11

Description:

This relay can either reflect the time of fog production (Smoke Active), or the time in which the EASY 2200 can continue to produce fog, due to the retrigger function, or Cloak Sensor (Backstop).

- **SmokeActive: (default setting)**

Is used to give a signal that there has been an activation, this signal can be connected to the alarm panel, fire alarm etc.

- **Backstop:**

Is used to give a signal during the time the area is protected.

The default duration is 15 minutes. This can be used for triggering other devices eg. Strobe, sounder etc

12.7.2 Non critical fault output (terminals 15 and 16)

Terminals 15 and 16 are normally closed (default).

The normally open/normally closed configuration follows the selection made for the system fault relay (using the PC-tool).

These open if the bottle is less than one third full or there is a battery fault.

This output is always suppressed when the system is set.

12.7.3 System fault output (terminals 17 and 18)

Terminals 17 and 18 are normally closed. (Default)

The normally open/normally closed configuration can be configured using the PC-tool. See 18

The relay can be latched using the PC-tool. See 19.10

The relay opens if a critical fault is present (default)

- No fluid
- Temperature fault
- Mains failure (configurable, not default) – See 19.10

This output can be suppressed when the SmokeCloak is SET (using the PC tool)

12.7.4 Aux Output (terminals 23 and 24)

Terminals 23 and 24 are normally closed. (Default)

The normally open/normally closed configuration can be configured using the PC-tool. See 18

The relay can be latched using the PC-tool.

The relay opens if there is a failure on the mains (default)

The relay can be configured to reflect the Backstop timer, using the PC tool, see 19.7

12.8 Test button wiring

The test button will activate for up to 10 seconds or until the S/C is removed, whichever is sooner. The function is only enabled. This function is only enabled when the cover is off.

13. Cloaksensor

The Cloaksensor detects and controls the amount of vapour produced by the SmokeCloak after the initial activation. The Cloaksensor requires careful siting.

Fit the sensor in a position in the room which will provide an indication of the drop in vapour concentration, (normally in the centre of the area the machine is protecting. Always test the system after installation to confirm the chosen position is correct) but also observing the following notes:

13.1 Installation

- **Wall Mounting**

When a ceiling position is not practical (for example on a ceiling having exposed beams or joists or built-in radiant heating), put the top edge of the Cloaksensor between 30 and 60 cm (12 and 24 inches) below the ceiling. Keep at least 60 cm (24 inches) from corners.

- **On a sloping ceiling**

In areas with sloping or peaked ceilings install the Cloaksensor 90 cm (3 feet) from the highest point measured horizontally because the "dead air" at the apex may prevent the effect from reaching the unit.



Due to the fact that the fog is warm, it will rise. Please note, in some installations the last place the fog is dissolved can be in the top of a sloped ceiling.

13.2 Locations to avoid for Cloaksensor

- Near a decorative object, door, light fitting, window moulding etc., that may prevent smoke from entering the Cloaksensor.
- Surfaces that are normally warmer or colder than the rest of the room (for example attic hatches, un-insulated exterior walls etc). Temperature differences might stop smoke from reaching the unit.
- Next to or directly above heaters or air conditioning vents, windows, wall vents etc. that can change the direction of airflow.

Safeguards

To maintain sensitivity to smoke, do not paint or cover the Cloaksensor in any manner and do not permit any accumulation of cobwebs, dust or grease



Cleaning

To ensure continued levels of performance, the cloaksensor must be cleaned at regular intervals.



14. Setting the activations time.

In order to ensure the correct level of coverage it is necessary to set-up the initial fill time of the machine. This can be done in two ways:

- The timers can be set manually using the interface board.
- Together with other configurations, the timers can be set up using the PC-Tool

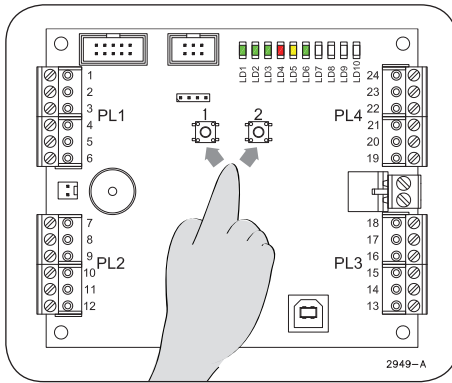
You can determine the time required by carrying out a test firing and note the time required to fill the room or set the timer using the time chart below. Avoid overfilling the room

– visibility should be reduced to approx. arm's length.

14.1 Approximate fill volumes in m3 as a guide by

Model	EASY 2200
15 seconds	367 m3
30 seconds	764 m3
60 seconds	1005 m3

14.2 Setting the activation time through the Interface Board



In order to manually set the timers on the EASY 2200, 2 switches on the interface board can be used in conjunction with the status LEDs.

The timer is set in terms of the number of single second units (using switch 1) and the number of 10 second units (using switch 2).

Read the status

The current value can be read via the leds 1-9.

Press switch 1 once to display the current number of single seconds.

Press switch 2 once to display the current number of ten seconds.

Change the 1 seconds

switch 1 once, this will display the current setting of the number of 1 seconds.

Now press the switch again to increment through until the desired number of seconds is reached.

Change the 10 seconds

switch 2 once, this will display the current setting of the number of 10 seconds. Now press the switch again to increment through until the desired number of 10 seconds is reached.

The timer has a built in minimum value of 6 seconds, setting the timers to value less than this will cause the machine to automatically set the timer to 6 seconds. The maximum value is 59 seconds.



15. Preparation for final Test

Before proceeding with any test, it is essential that the local fire brigade, people on site and neighbours are informed of what is going to happen.

Ensure that any fire detection system is put on test or the customer has control of it. SmokeCloak will activate all types of smoke detector. However, it will not activate heat or carbon monoxide detectors.



The supplied SmokeCloak warning signs must be fitted on or near likely points of entry. This is an insurance requirement to warn any person entering the building that SmokeCloak is installed

16. Maintenance

The EASY2200 requires an annual maintenance check in order to sustain the correct levels of performance and security.

This requires the following:

- Replace the fluid (do not top the fluid up).
- A test of the system. This can be done using the test button. See 12.8.
- Load test the batteries and replace as necessary. It is recommended that batteries are replaced every 2 years due to the heat inside the machine

Do not attempt to clean the internal components of the EASY2200 or to clean around the nozzle area. This will be extremely hot. The outer covers may be wiped down to remove dust build up.



17. PC-Tool

17.1 Updating the registry

Before installing or attempting to use any of the PC-tool, it is important that the following steps are taken in order to update the windows registry. Failure to do this can lead to problems connecting to the EASY2200.

The registry updater can be found on the CD received with your product, in the configuration directory.

- Locate and run the file 'EASY2200 registry updater'
- You will be asked if you wish to update the windows registry, select 'Yes'.
- You will be provided with a confirmation notice that the registry has been successfully updated.

It is only necessary to follow this process the first time a particular computer is used to connect to an EASY2200.



In order to avoid problems when connecting your PC to the EASY2200, you should always use the same USB port when connecting to the machine.

17.2 Installing the EASY2200 driver

In order to create a connection between the EASY2200 and your computer it is necessary to install the drivers so it will be recognised each time a link is made.

In order to do this:

1. Power up the EASY 2200 and use a USB cable to link the EASY2200 to your PC or laptop.
2. Your computer should recognise the new hardware; you will then be asked if you want to connect to the internet in order to find the correct software, select NO.
3. Next insert the CD that comes as part of your manual pack. Select the option: 'install the software automatically' (see below).



NOTE: If this does not work you can manually point to the driver, it is found on the CD, in the /Drivers directory.

4. This will complete the driver installation. Note the COM port number. (This can be found in the hardware device manager found under the properties of 'My Computer – under the Ports branch).

It may be necessary to reboot your computer for the changes to take effect.

17.3 Installing the configuration software

Copy the EASY2200 configuration program that can be found on the CD to a local drive on the computer. EASY2200 Configuration.exe

NOTE: Default values are shown below.

The screenshot shows the 'Easy 2200 Configuration 1v0' window with the following settings:

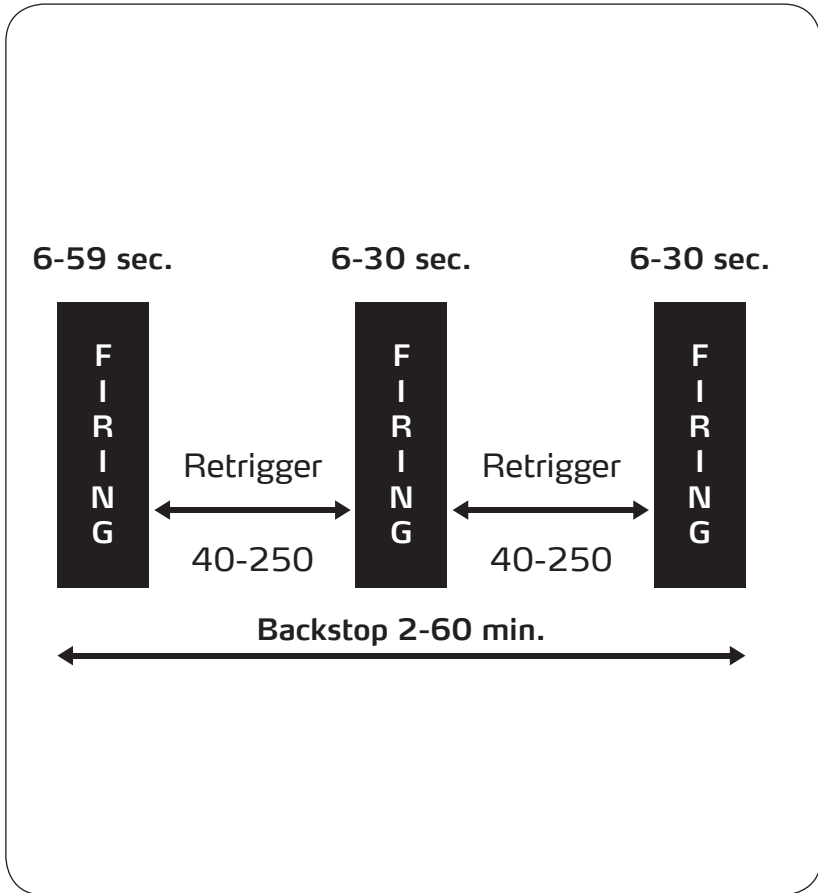
- TIMERS:** Retrig (s) is 0, BK'Stop(m) is 15, Run (s) is 10.
- USB:** Value is 0, with a 'Connect' button.
- STATUS:** Radio buttons for BattOk, MainsOk, Ready, Heat, HtError, LowOk, FluidOk, and SysOk. The status is 'Link is stopped'.
- UPLOAD/DOWNLOAD:** 'Write' and 'Read' buttons.
- INPUT POLARITY:** 'Voltage Applied' checkbox is checked.
- POWER SAVE:** 'Power Save On' checkbox is unchecked.
- FLUID CAL:** 'Fluid Cal' checkbox is unchecked.
- DATE/SERVICE TIMER:** 'Set Date' and 'Set Service' buttons. Local Time is (MM/DD/YY) and Next due is blank.
- AUX OUT:** 'MainsOk' dropdown, 'N/C' checkbox is checked, 'Latching' checkbox is unchecked.
- AUX IN:** 'SAI' dropdown.
- CRITICAL FAULT:** 'No AC' dropdown, 'N/C' checkbox is checked, 'Latching' and 'Fault Supress' checkboxes are unchecked.
- TRIG RELAY:** 'Smoke Active' dropdown, 'N/C' checkbox is checked, 'Latching' checkbox is unchecked.
- Buttons:** 'Get All', 'Clear', 'Save', 'Save All', 'Help', 'Set Defaults', and 'Exit' are also visible.

18. Using the software

18.1 Connecting to the EASY 2200

- Using a USB cable to create a link between the EASY2200 and the computer.
 - Allow sufficient time for the computer to recognize the machine being connected, ignore any momentary error message displayed in this period.
 - Run the EASY2200 Configuration Program from your local drive.
1. Enter the assigned USB port number.
 2. Click the Connect button. If the connection has been successful the status will show '**Link is live**' and the status displays should also become active.
 3. this is the first time you have connected to the unit via the PC TOOL click the 'set date' button. This will synchronise the date with the date on your PC.
 4. You are now ready to use the USB interface software.

19. Timers



Here the current values are displayed for Retrigger, Backstop and Run timers. They can also be manually adjusted by simply typing the desired value.

19.2.1 Retrigger

Sets the period of time between the end of the machine's trigger cycle, before it re-fires in order to maintain the effect within a room. This will continue to happen until the alarm is disabled or the backstop expires. (minimum 40 s, maximum 250 s).

When using the retrigger function, installers should calculate the setting for the backstop timer on the basis of the number of re-trigger cycles required.



19.2.2 Backstop

Sets the length of time for which the machine will continue to re-trigger. After this period the backstop will override any retrigger sources and return the machine to a ready state. (Default value is 15 min, 2 min minimum and 60 min maximum.)

19.2.3 Run

The period of time for which the machine will fire once triggered. (6 s minimum and 59 s maximum.)

19.3 Upload/Download

By pressing the '**Read**' button, the current settings of the machine will be displayed.

Pressing the '**Write**' button will upload the values currently displayed in the timers section, along with any additional changes made.

These will overwrite the existing values and settings currently held within the memory of the machine.

19.4 Input Polarity

This function inverts the meaning of the inputs, terminal 9&10 and terminal 11&12.

Checking this box means that 12 V needs to be applied to the set and trigger inputs for the unit to operate. (default)

Unchecking this box means that 12 V needs to be removed from the set and trigger inputs for the unit to operate.

19.5 Power Save

Check this box will activate a power save mode on the machine.



Do not use in conjunction with the panic option on Aux-In.

19.6 Fluid Calibrate

This function will recalibrate the fluidsensor.

1. Plug in usb between EASY2200 and pc.
2. Open the pc tool (do not connect)
3. Check the "calibration" box
4. Down power the unit (both batteries and mains must be disconnected)
5. Power up the unit and click the connect button within 20 seconds.
6. The fluid sensor calibration should begin automatically.
7. The calibration is finished when the progress bar has filled then emptied.

Manual fluid sensor calibration method;

- Ensure the fluid sensor is fitted correctly and in a full bottle of fluid
- Press and hold SW1 on the interface PCB whilst downpowering the unit
- Waited 20 seconds and then reapply power to the unit
- The unit will start a counting sequence with the LEDs indicating that the calibration has begun
- When the counting sequence has finished (all LEDs off) down power the unit
- Re-apply power to the unit and observe normal operation

19.7 AUX out (terminals 23 and 24)

This allows the function of the auxiliary output to be modified to suit the particular installation.

Power OK:

If Power OK is selected the AUX output will show the status of the Main powersupply.

Backstop:

If Backstop is selected the AUX output will show the status of the Backstop timer.

19.8 AUX in (terminals 21 and 22)

This allows the function of the auxiliary input to be modified to suit the particular installation.

The input is activated by applying 12 V across terminal 21 and 22.

19.8.1 SERVICE MODE

In service mode the EASY2200 has the following properties

- It will prevent it from firing if A "set" and "trigger" is active.
- It will beep continuously if there is a failure on the product.

The EASY2200 will also enter SERVICE MODE when the PC-Tools is connected, but it will not BEEP continuously.

This function can be disabled using the USB SAI off tick box.



19.8.2 Panic

When panic is activated the EASY2200 machine will fire.

It will fire with the same runtime as a normal activation, but it will fire independent of the set/trigger inputs.

Do not use panic input in conjunction with the PowerSave mode.



19.9 Fault Suppress

Checking this box will suppress the critical fault when the system is set.

19.10 USB SAI off

By placing a tick in this box you disable the automatic enabling of SAI mode when 5v is present of the USB input. This allows a device to be permanently connected to the unit without it being in SAI mode.

19.11 System fault (terminals 17 and 18)

It is possible to choose if a failure on the mains shall be included/excluded from the System failure relay.

19.12 Activation Relay (terminals 13 and 14)

It is possible to choose if the relay shall reflect the time of fog production(Smoke Active), or the time in which the EASY2200 can continue to produce fog, due to the retrigger function, or Cloak Sensor (Backstop).

19.12.1 SmokeActive:

Is used to give a signal that there has been an activation.

19.12.2 Backstop:

Is used to give a signal during the time the area is protected.

The default duration is 15 minutes.

This can be used for triggering other devices eg. Strobe, sounder etc.

19.13 Events

The EASY2200 has the capability of creating an event log. This will display details of times and dates of activations, fault output etc.

The most recent 50 events will automatically be downloaded to the onscreen viewing window each time that a EASY2200 is connected.

To gather all the remaining entries (up to 1400) from the EASY2200, click the 'Get All' button.

This will gather all entries made and then present you with a dialogue box.

This event log can be downloaded and saved to an external location by clicking the 'Save' button.

Clicking the 'clear' button will remove all entries currently shown in the viewing window, Ensure these are saved prior to using the clear function if required.

19.14 Additional Controls:

Save All

Saves current settings as a .txt files. This can be saved to an external location.

Set Defaults

Returns all the settings to the factory defaults.

Exit

This closes the configuration program.

Help

Launches a PDF copy of this manual which provides assistance with all aspects of the EASY2200 machine.

19.15 Status leds

This will show a mirror of the first 8 status leds on the interface board.

20 Accessories

20.1 Fluid FL600-V

SmokeCloak FL600 is an exclusive mixture of deionised water and food grade glycols. The formula that has been developed through over 20 years of experience and R&D gives a unique combination of density and hang time.

The SmokeCloak FL600 fluid is very economical in the production of SmokeCloak vapour.

The typical “hang” time in a static air environment is around 45 min and the FL600 fluid creates a uniform sub micron particle size.

Fluid is supplied in a 1 litre container which fits all SmokeCloak EASY machines. The fluid is harmless and a full safety data sheet is available on request.



20.2 Cloaksensor CS07A

The SmokeCloak CS07 Cloaksensor is the part of the system that detects whether the room has the correct amount of vapour and sends a signal to the SmokeCloak machine requesting more vapour if the room is below the optimum level.

The unit is built into a standard smoke detector case and the internal circuitry and calibration are specifically designed and constructed to meet the requirements of the SmokeCloak system.

Dimensions: 120 x 60 x 120 mm

Weight: 0.167 kg

Colour: White



20.3 LED Strobe

Light protection – as well as fog.

This powerful product from MSS Professional A/S adds an extra dimension to the instant protection from your SmokeCloak system. The LED Strobe is an ultra bright strobe light that gives a blinding effect when used with dense fog coverage. When used together with fog this product offers total instant protection. The LED Strobe is easy to install and will fit into any current alarm installation.

Dimensions: 505 x 140 x 226 mm

Weight: 4.0 kg

Electrical: 100v – 240V nominal

Power 2.7A, 380W @ 240V

Consumption 2.5A, 250W @ 240V



20.4 Sounder IPA 117

The IPA 117 is designed to easily fit into all types of buildings. It has a tamper-proof steel housing 1.5 mm thick and can be installed in as little as 10 minutes.

The built-in alarm interface makes it easy to connect to any electronic alarm installation and with on board battery back up, reliable protection is secured.

The IPA 117 can be easily linked with other IPA 117 units in order to protect larger areas; the SmokeCloak products can be used to control the IPA 117.

Dimensions: 192 x 182 x 62 mm

Weight without internal battery: 2.0 kg

Weight with internal battery: 2.8 kg

Colour: White



20.5 Voice Module

The SmokeCloak CS140 voice module is a 12 V digital voice system, containing an embedded chip with a pre-recorded message. It is designed to be remotely positioned near to the normal access to the building and, if required, the protected area.

The unit is particularly important in large, multi-occupancy or public access buildings so that any innocent third party is clearly aware of what is happening and that they should leave the area.

The standard voice module is available in English, German, French, Spanish and Portuguese although customised units are available to special order.

Dimensions: 195 x 118 mm

Colour: Aluminium and grey

Weight kg: 1.9 kg



20.6 Batteries

The SmokeCloak is installed with two lead-acid batteries ensuring full smoke protection in the event of main power failure.

The battery is from one of the world's leading manufacturers of maintenance-free lead acid batteries. This ensures long service intervals, and low periodical costs.

The battery is especially designed for the operational conditions in alarm systems, with long stand-by periods and short intense energy loads.

Dimensions: 178 x 60 x 35mm

Weight: 0.93 kg

Nominal Voltage V: 12 V

Capacity: 2.0 Ah





Contact:

MSS Professional A/S
Agerhatten 25
DK - 5220 Odense SØ
Danmark

Telefon: +45 6473 1407
www.smokecloak.com